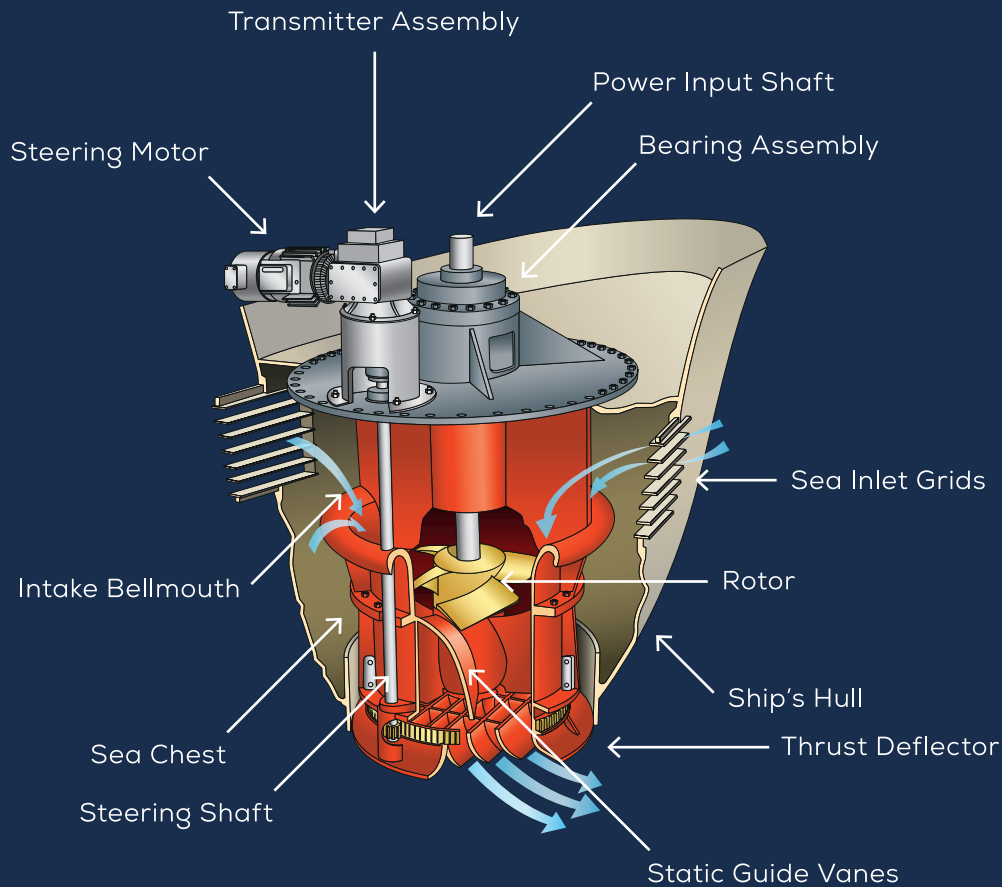


T3S VERTICAL SHAFT THRUSTER



Our most popular and powerful design, the T3S model is available up to 2120kw and is also offered with our "quiet rotor" option.

With installations in vessels world-wide, including many for NOAA and the US Navy, our T3S unit has recently been chosen for integration on the new NERC Polar Research Vessel - RRS Sir Richard Attenborough, which will be equipped with four 60T3S units. We manufacture our vertical shaft units in 6 sizes, providing a range of static thrust from 2200kg to 20000kg.

RSS SIR DAVID ATTENBOROUGH



Courtesy of British Antarctic Survey. www.antarctica.ac.uk

T3S VERTICAL SHAFT UNIT



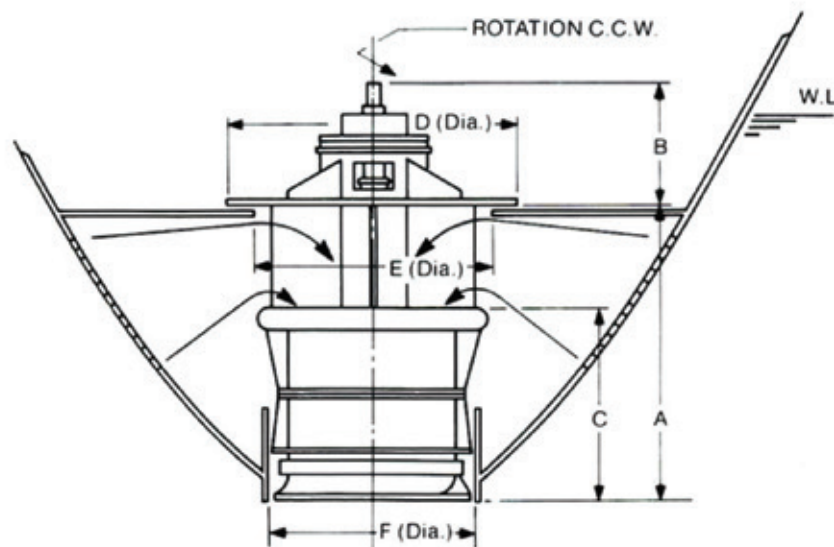
Performance figures stated in the tables are at maximum rating. Thrust figures are effective horizontal thrusts. Selection should be made using our performance curves, for optimum efficiency and service requirements.

Dimensions should not be used for installation purposes without confirmation.

Tables indicate maximum speed, but the r/min can be reduced to match driver speed. The power absorbed by the unit is proportional to the r/min^3 .

The static thrust obtained from the unit is proportional to the r/min^2 . All rotations given are looking on end of power input shaft.

Operating circumstances and ship design may require alterations or adaptations of the basic design illustrated. Do not hesitate to contact Tees White Gill Thrusters when distinctive conditions, special materials or unique situations are encountered.



BOW / STERN TS3 VERTICAL SHAFT THRUSTER

Model	r/min	kW (absorbed)	Static Thrust (kg)	Dimensions (millimeters)						Free intake area m ²	Approx. weight (kg)
				A	B	C	D	E	F		
24	1,129	246	2,200	1,200	700	735	1,200	900	800	0.74	2,250
32	860	467	4,000	1,556	720	981	1,430	1,190	1,043	1.30	3,770
40	677	686	6,200	1,905	850	1,220	1,735	1,475	1,305	2.03	5,100
50	542	1,062	10,000	2,324	935	1,524	2,110	1,830	1,630	3.20	9,200
60	459	1,576	15,000	2,943	1,270	1,843	2,510	2,200	1,955	4.56	14,570
70	386	2,120	20,000	3,307	1,005	2,135	2,935	2,590	2,280	6.21	22,940

AVAILABLE COUNTER CLOCKWISE ROTATION ONLY.

Tees White Gill Thrusters, North Skelton, Saltburn-by-the-Sea, Cleveland, TS12 2AP, United Kingdom
A division of Tees Components Limited.

Tel: +44 (0) 1287 652 642 | Email: sales@teesgillthrusters.com | www.teesgillthrusters.com

